

# Model SBH

## Precision Portable Digital Pressure Gauge

### Description

The SBH is a portable digital pressure gauge featuring accuracy 0.25%FS, multiple measurement units, Min./Max. readings, auto zero and automatic power off to conserve battery(AAA size) power. Also, a backlight provides improved visibility under poor lighting conditions. The SBH will operate with any liquid and gas that is compatible with 316L stainless steel. With Aluminum Die casting housing and Protection Rate IP65 are ideal in poor surroundings.

### Features

- ▶ CE Certified
- ▶ Die casting housing
- ▶ Measuring range 0~500MPa
- ▶  $\pm 0.25\%FS$ ,  $\pm 0.5\%FS$  Accuracy , -10 to 50°C
- ▶ Large, easy to read display & Backlight Unit
- ▶ 10 selectable pressure units (MPa, mbar, bar, mmH<sub>2</sub>O, inHg, mmHg, kgf/cm<sup>2</sup>, atm, psi, kPa)
- ▶ Peak, Auto power off, Auto Zero

### Applications

- ▶ Portable Field Calibration & Calibration Labs.
- ▶ Process monitoring & Control
- ▶ Valve & Regulator Test
- ▶ Leak Test



### Specifications

#### Range

0~35kPa ... 70MPa(Gauge)	
-100kPa~0 ... 3.5MPa(Gauge)	0~71 ... 500MPa(Gauge)
0~35kPa ... 70MPa(Absolute)	

#### Performance

Accuracy	$\pm 0.25\%FS \pm 1\text{digit}$	$\pm 0.5\%FS \pm 1\text{digit}$
Thermal Effect on Zero	$\pm 0.03\%FS / ^\circ C$	$\pm 0.05\%FS / ^\circ C$
Thermal Effect on Span	$\pm 0.03\%FS / ^\circ C$	$\pm 0.05\%FS / ^\circ C$
Compensated Temperature Range		-10~50°C
Operating Temperature Range		-20~70°C

#### Electrical

Display	$\pm 5000$ Backlight LCD
Excitation	1.5V(AAA Size) Alkaline Battery $\times 3$
Display Time	1, 2, 5, 7, 10 time/sec
Function	Unit Conversion, Peak, Auto Power Off, Auto Zero

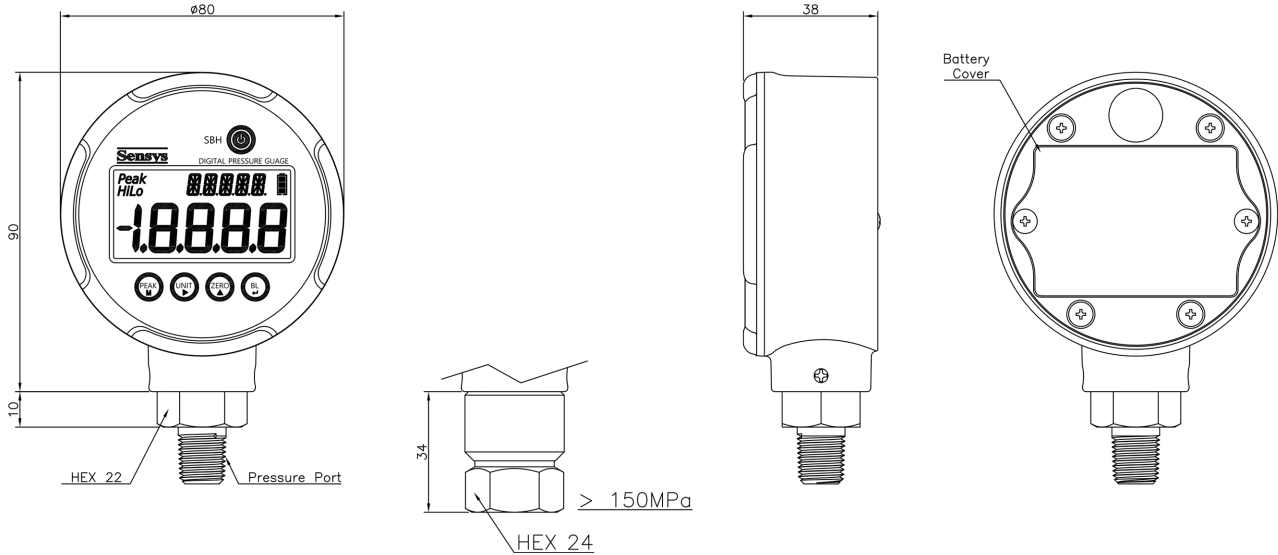
#### Physical

Proof Pressure	X3 or 140MPa <sup>1)</sup>	$\leq 150\text{MPa} : X1.5$ or 150MPa <sup>1)</sup> $> 150\text{MPa} : X1.5$ or 500MPa <sup>1)</sup>
Burst Pressure	X4 or 210MPa <sup>1)</sup>	$\leq 150\text{MPa} : X2$ or 150MPa <sup>1)</sup> $> 150\text{MPa} : X2$ or 600MPa <sup>1)</sup>
Vibration		49.1m/s <sup>2</sup> {5G}, 10~500Hz
Shock		490m/s <sup>2</sup> {50G}
Pressure Port	G(PF)1/4", NPT1/4", 9/16UNF Female(Only $> 150\text{MPa}$ )	
Media-Wetted Materials	SS316L	SS316L, Ti 87%
Protection		IP65
Weight		Approx. 350g

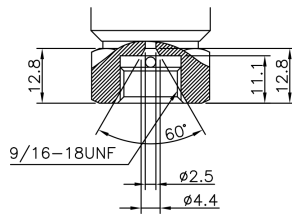
<sup>1)</sup> Whichever is less.

## Dimension

### ▶ Out Dimension



### ▶ Pressure Port(> 150MPa)



## Ordering Information

<b>Model Name</b>	<b>SBH A 0100 R D G</b>	<b>Type of Pressure Measurement</b>
<b>Output</b>	A : None	G : Gauge J : Absolute
<b>Pressure Range</b>	XXXX : Pressure CXXX : Compound Pressure	<b>Pressure port</b>
		D : G(PF)1/4"      L : NPT1/4" K : 9/16-18 UNF(F) (Only >150MPa)
		<b>Pressure Unit</b>
		R : kPa      M : MPa