

# Adjustable Type Gas Insertion Thermometers (331T Series)

## Applications

- Corrosive, Non-corrosive media
- Chemical process, petroleum food industry
- Machine and plant engineering
- Piping, pressure vessels and industrial heating
- Varying ambient condition

## Temperature Element

- Gas Filled System (-200 ~ 700°C) / SAMA CLASS IIIB

## Working Range

- Maximum scale value



## Standard Specification Overview

### Dial Size

- 75mm, 100mm, 125mm, 150mm

### Reference Accuracy

- $\pm 2.0\%$  of Full Scale

### Scale Ranges

- -200 ~ 0 ~ 700°C

\* For more information, see the ordering information table.

### Process Connection

- PT ("R" in ISO) 1/2", NPT 1/2"

### Material

- Case : 304 SS
- Ring (Cover) : 304 SS
- Connection : 304 SS
- Stem : 304 SS
- Window : Glass
- Dial : White Aluminum with Black Graduations
- Pointer : Aluminum Alloy, Black Finished

### Degree Protection

- IP67

### Optional Extra

- Test Report by Manufacturer
- Test Report by KOLAS (ILAC-MRA)
- 316 SS Case & Cover
- Stem Material (316 SS)
- OEM Service for a specific customer
- High Accuracy ( $\pm 1.0\%$  of F.S.) Calibration

## Special Notes

1. "0" adjustable : None

## Ordering Information for 331T Series

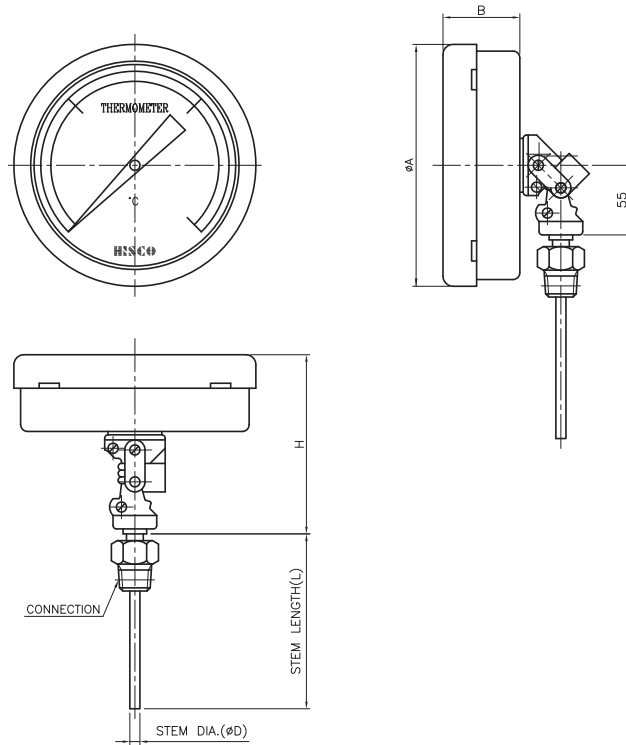
● = Standard Products   ▲ = Available   NA = Not Available

Model	Description	Case & Ring	Connection / Stem
331T	Adjustable Type Gas Insertion Thermometers	304 SS	304 SS / 304 SS
<b>Code</b>	<b>Dial Size</b>	<b>Accuracy</b>	
30	75mm	±2.0% of Full Scale	
40	100mm	±2.0% of Full Scale	
50	125mm	±2.0% of Full Scale	
60	150mm	±2.0% of Full Scale	
<b>Code</b>	<b>Mounting Type</b>		<b>All</b>
A	Adjustable Bottom Connection Stem Mounting		●
<b>Code</b>	<b>Process Connection Style</b>		<b>All</b>
2	PT ("R" in ISO Standard)		●
3	PF ("G" in ISO Standard)		▲
4	NPT		●
0	Others		☞
<b>Code</b>	<b>Process Connection Size</b>		<b>All</b>
D	3/8"		▲
F	1/2"		●
H	3/4"		▲
<b>Code</b>	<b>Range</b>		<b>All</b>
XXX	Refer to the Temperature Range Code Table		●
<b>Code</b>	<b>Sensor (Stem) Outer Diameter</b>		<b>All</b>
M8	8.0mm		●
M1	10.0mm		▲
M2	12.0mm		▲
Please request for other size of stem out Diameter.			
<b>Code</b>	<b>Sensor (Stem) Length</b>		
0075	75mm	0400	400mm
0100	100mm	0450	450mm
0150	150mm	0500	500mm
0200	200mm	0550	550mm
0250	250mm	0600	600mm
0300	300mm	0650	650mm
0350	350mm	0700	700mm
		0750	750mm
		0800	800mm
		0850	850mm
		0900	900mm
		0950	950mm
		1000	1000mm
		XXXX	Other (specify the length in mm or inch)
<b>Code</b>	<b>Applicable Accessory Options</b>		<b>All</b>
W1	With Thermowell (Refer to the accessory model 100)		●
J1	Swivel Nut		▲
J2	Compression Fitting		▲
J3	Adjustable Union		▲
J4	Screw Union for 3/4"		▲
J0	N/A		▲

Code	Other Options	All
Test Reports		
T1	Test Report by Manufacturer	▲
T2	Test Report by KOLAS (ILAC-MRA)	▲
Material Option		
SM	Stem Material (316 SS)	▲
S6	316 SS Case & Cover	▲
Other Option		
OE	OEM Service for a specific customer	▲
Sample Model Selection : 331T40A2F117M80100J0		
* The standard specification and price are subject to change without prior notice		

## Adjustable Type Gas Insertion Thermometers (331T Series)

### TYPE-A



(UNIT : mm)

Dial Size	A	B	H
ø75	87	43	110
ø100	111	45	110
ø125	138	47	115
ø150	168	53	121

**HISCO** HISCO, INC.

15-5, Yangpyeong-dong, 4-ga, Yeongdeungpo-gu, 150-866 Seoul, Korea  
 T : 82-2-2677-6046 F : 82-2-2672-1873 <http://www.hiscoi.com>