

DIN type Industrial Process Pressure Gauges (321P Series)

DIN type Industrial Process Liquid Filled Pressure Gauges (325P Series)

Applications

- Corrosion resistance
- Chemical & petrochemical
- Power generation
- Pumps, compressors and regulators
- Refining & marine industry
- Sea water application (only monel)

Pressure Limitation

- Steady : 3/4 of full scale value
(recommendation : 25% to 75% of full scale)
- Fluctuating : 2/3 of full scale value
(recommendation : lower 50% of full scale)
- Short time : full scale value (63mm), 130% of full scale value
(over range protection) (100mm & 160mm)

Operating Temperature

- Ambient : -40~65°C
-20~65°C (Glycerine)
-40~65°C (Silicone)
- Media (Fluid) : Max. 100°C (Glycerine)
Max. 100°C (Silicone)



Special Notes

1. This series follows the design of EN 837-1.

Standard Specification Overview

Dial Size

- 100mm (4"), 160mm (6.5")

Reference Accuracy

- 100mm, 160mm : $\pm 1.0\%$ of Full Scale
(Option : $\pm 0.5\%$ of Full Scale)

Scale Ranges

- 100mm, 160mm : Vacuum, Compound & 0 ~ 1000 bar
* For more information, see the ordering information table.

Process Connection

- 100mm, 160mm : PT 3/8", PF 3/8", NPT 1/2"
* No throttling screw inserted in the pressure port.

Ring Type

- Bayonet

Material

- Case : 304 SS with blow out disk on back
- Ring (Cover) : 304 SS
- Window : Safety Glass
- Pointer : Aluminum Alloy, Black Finished
- Connection : 316 SS
- Element (Bourdon Tube) : 316 SS
- Movement : Stainless Steel
- Dial Plate : White Aluminum with Black Graduations
- Liquid Filled : 325P Glycerine (Silicone - Option)

Degree of Protection

- IP 67

Optional Extra

- Test Report by Manufacturer
- Test Report by KOLAS (ILAC-MRA)
- Cleaning Service (USE NO OIL)
- Supersonic Cleansing Service
- Throttling Screw (Restriction Orifice)
- External Zero Adjustable
- 316 SS Case & Cover (Ring)
- Liquid Filled (Glycerine)
- Liquid Filled (Silicone)
- High Accuracy ($\pm 0.5\%$ of F.S) calibration
- Maximum Pointer (Only for 100mm)

Ordering Information for 321P & 325P Series

● = Standard Products ▲ = Available NA = Not Available

Model	Description	Case & Ring	Wetted Parts	
321P	DIN Type Industrial Process Pressure Gauges	304 SS	316 SS	
325P	DIN Type Industrial Process Liquid Filled Pressure Gauges	304 SS	316 SS	
Code	Dial Size	Accuracy	321P	325P
40	100mm (4")	± 1.0% of F.S.	●	●
65	160mm (6.5")	± 1.0% of F.S.	●	●
Code	Mounting Type		40	65
A	Bottom Connection without Mounting Flange		●	●
B	Bottom Connection with Back Mounting Flange		●	●
L	Lower Back Connection without Mounting Flange		●	●
J	Lower Back Connection with 3-hole Front Mounting Flange		●	●
U	Lower Back Connection with "U" Clamp Mounting Bracket		●	●
Code	Process Connection Style		40	65
2	PT ("R" in ISO Standard)		●	▲
3	PF ("G" in ISO Standard)		●	●
4	NPT		●	●
X	Others		☞	☞
Code	Process Connection Size		40	65
C	1/4"		●	▲
D	3/8"		●	●
F	1/2"		●	●
Code	Pressure Range		40	65
501	-1 ~ 0 bar		●	●
502	-1 ~ 0.6 bar		●	●
503	-1 ~ 1.5 bar		●	●
504	-1 ~ 3 bar		●	●
506	-1 ~ 5 bar		●	●
507	-1 ~ 9 bar		●	●
508	-1 ~ 15 bar		●	●
509	-1 ~ 24 bar		●	●
611	0 ~ 0.6 bar		●	●
612	0 ~ 1 bar		●	●
613	0 ~ 1.6 bar		●	●
614	0 ~ 2.5 bar		●	●
615	0 ~ 4 bar		●	●
616	0 ~ 6 bar		●	●
618	0 ~ 10 bar		●	●
619	0 ~ 16 bar		●	●
621	0 ~ 25 bar		●	●

623	0 ~ 40 bar	●	●
625	0 ~ 60 bar	●	●
627	0 ~ 100 bar	●	●
628	0 ~ 160 bar	●	●
629	0 ~ 250 bar	●	●
631	0 ~ 400 bar	●	●
633	0 ~ 600 bar	●	●
635	0 ~ 1000 bar	●	●

* bar is the standard dial scale but others are available upon request.

Code	Applicable Accessory Options
J0	Not Apply
J1	Adapter
J2	Gauge Unions
J3	Syphon Tubes
J4	Pulsation Dampeners
J5	Pressure Snubber
J7	Gauge Savers (Gauge Protectors)
J8	Safety Kloser
J9	Manifold Valves

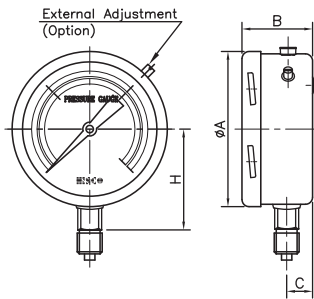
Code	Options	40	65
Test Reports			
T1	Test Report by Manufacturer	▲	▲
T2	Test Report by KOLAS (ILAC-MRA)	▲	▲
Other Option			
C1	Cleaning Service (USE NO OIL)	▲	▲
C2	Supersonic Cleansing Service	▲	▲
R1	Throttling Screw (Restricting Orifice)	▲	▲
EZ	External Zero Adjustable	▲	▲
AC	High Accuracy ($\pm 0.5\%$ of F.S) calibration	▲	▲
F2	Liquid Filled (Glycerine)	▲	▲
F4	Liquid Filled (Silicone)	▲	▲
S6	316 SS Case & Cover (Ring)	▲	▲
S7	316L SS Connection & Element Part	▲	▲
Z0	Maximum Pointer (Only for 100mm)	▲	

Sample Model Selection : 321P40A4F627J0T1

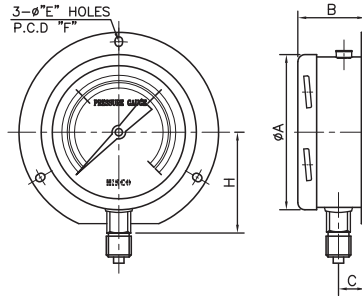
* The standard specification and price are subject to change without prior notice.

DIN type Industrial Process Pressure Gauges (321P Series)

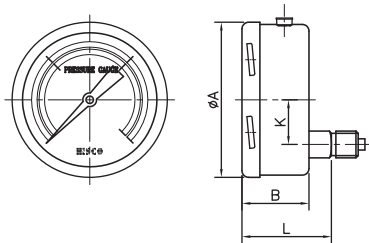
TYPE-A



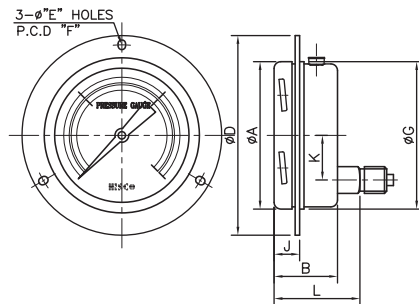
TYPE-B



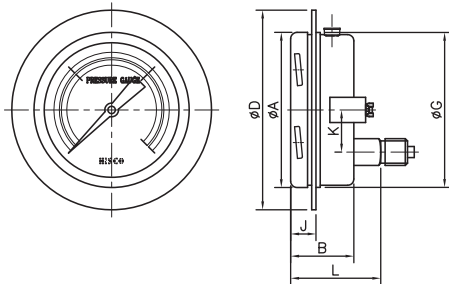
TYPE-L



TYPE-J



TYPE-U



(UNIT : mm)

Code	Dial Size	(Available Type)	A	B	C	D	E	F	G	H	J	L	K
40	ø100	A, (B)	101	49.5 (53.5)	16.5 (19.5)	(114)	5.5	114	-	70.5	-	-	-
		L, J, (U)		49.5	-	130 (113)	-		99	-	24.5	69	29
65	ø160	A, (B)	161	50 (50)	16.5 (19.5)	180	5.5	173	-	97	-	-	-
		L, J, U		50	-	190	-		159	-	22.8	70	29

HISCO HISCO, INC.

32, Seonyu-ro 43-gil, Yeongdeungpo-gu, Seoul, Korea
 T : 82-2-2677-6046 F : 82-2-2672-1873 <http://www.hiscoi.com>