

FR-IS-OP Series

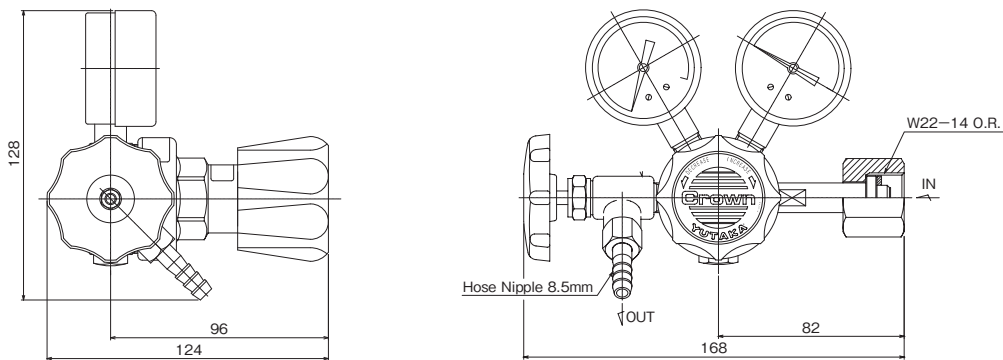
For Cylinder Single-Stage Pressure Regulator

Specifications

Inlet Pressure Gauge	25MPa	Inlet Connection	W22-14 O.R.
Outlet Pressure Gauge	0.6, 1, 1.6MPa	Outlet Connection	Hose Nipple 8.5mm
Inlet Pressure	14.8MPa or less	Accessories	Gasket Packing(Fiber)×2Pcs.
Outlet Pressure	60% of Full scale	Approximate Weight	1.5kg

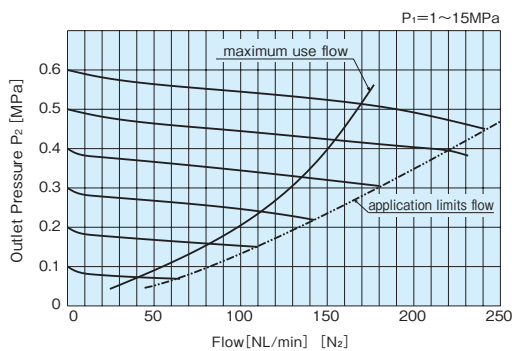


Outline drawing



[Note]
■ Unit: mm
■ Dimensions are subject to change without notice.

Flow characteristics



[Note]
■ These tests were performed at ambient conditions.

Materials of construction

Body	C3604 BD
Bonnet	ZDC
Poppet	C3604 BD
Seat	NBR
Diaphragm	NBR
Safety valve seat	NBR

List of specifications

Series	Inlet Pressure Gauge MPa	Outlet Pressure Gauge MPa	Inlet Connection	Outlet Connection
FR-IS-OP	25	0.6	W22 (R)	Hose Nipple 8.5 mm
	25	1	W22 (R)	Hose Nipple 8.5 mm
	25	0.6	W22 (L)	Hose Nipple 8.5 mm
	25	1	W22 (L)	Hose Nipple 8.5 mm